

Barbecue Island Pre-Delivery Guide

For Cal Flame barbecue islands sold after August 9, 2017
in the United States and Canada

LBK and Pavilion Islands



Table of Contents

Planning the Best Location	3
Preparing a Good Foundation	4
Electrical Requirements	5
Natural Gas Installation	6
Water and Drainage Installation	6
Getting Barbecue Island Into Yard	7
Installation After Delivery	8
Barbecue Island Footprints	9



WARNING! Proposition 65 Warning: Handling the brass material on this product exposes you to lead, a chemical known to the State of California to cause cancer, birth defects or other reproductive harm. (Wash hands after handling this product.)

This product and the fuels used to operate this product (propane or natural gas), and the products of combustion of such fuels, can expose you to chemicals including Benzene, which is known to the state of California to cause cancer and birth defects or reproductive harm.

For more information go to www.P65Warnings.ca.gov.

Copyright 2021 LMS. All rights reserved. Duplication without written consent is strictly prohibited.

Cal Flame® is a registered trademark.

Due to continuous improvement programs, all models, operation, and/or specifications are subject to change without prior notice.

LTR50001041, Rev. H
1/1/21

CONTACT INFORMATION

For customer service, please contact your authorized dealer immediately. If you need additional information and/or assistance, contact:

LMS Customer Service Department
1462 East Ninth Street
Pomona, CA 91766.

Toll Free: 1-800-225-7727
Fax: 1-909-629-3890

Planning the Best Location

Here are some of the things that you will need to consider when determining where to place your new barbecue island.

Safety First

Do not place your barbecue island near trees and shrubs.

Be certain that your installation will meet all city and local safety codes and requirements.

Consider How You Will Use Your BBQ Island

Your barbecue island is mainly used for family recreation. Be sure to leave plenty of room around it for activity.

Ventilation and Access

If you place your barbecue island close to a wall or fence, make sure you allow room for ventilation. Also, if you have storage areas in your barbecue island, make sure they can be conveniently accessed.

Enclosures and Awnings

Your barbecue island is for outdoor use ONLY.

You can locate your barbecue island any place where there is adequate ventilation. The size and configuration of your house and yard will determine how you should locate your barbecue island, but as a general rule, do not place it under or near windows that can be opened into your home.

Do not locate your barbecue island in an enclosed room such as a garage, shed, or breezeway or under a sealed overhead structure.

You can place your barbecue island in your patio as long as there is adequate ventilation and no fire risk. We do not recommend placing your barbecue island in any enclosed area, that is, any covered area that is walled on two, three or four sides.

You can install an awning over your barbecue island, provided you make sure it is high enough to prevent damage or fire. Maintain sufficient distance to prevent overheating any overhead combustible material. We recommend you check with local inspectors and your homeowner's association.

Plan for Your Environment

If you live in a region where it snows in the winter or rains frequently, place the barbecue island near a house entry. Consider adding a covered walkway from your barbecue island to your house or patio.

Preparing a Good Foundation

Your barbecue island needs a solid and level foundation. Damage caused by inadequate or improper foundation support is not covered by the warranty. It is the responsibility of the owner to provide a proper foundation for the barbecue island.

If you do not already have a location for your barbecue island, we recommend you have a concrete slab prepared to accommodate it. There are several advantages of having a permanent slab, including stability, levelness, and it eliminates sagging.

As you prepare your slab, this is the best time to run gas, electrical, and water lines and locate stub-ups for your barbecue island to connect to. The size and shape of the base of the barbecue island is called a footprint.

Footprint drawings show the actual dimensions of the base and suggested locations for your stub-ups. Footprint drawings for each model can be found in this guide starting on page 9.

Although a permanent slab is recommended, you can place your barbecue island on a prepared surface with bricks or pavers. We do not recommend you place your barbecue island on gravel, sand, timbers, dirt or grass because these surfaces have the potential to become unstable or uneven. Your barbecue island should always be on a stable, flat, level surface.

You can put your barbecue island on a deck provided it is rated to support the full weight of your barbecue island, grill, and all accessories. We recommend you have a contractor or structural engineer examine your deck to determine whether it can bear the load of your barbecue island.

Your Cal Flame retailer can help you with your foundation and more. Your retailer has a wealth of information and experience about how to get the most out of your barbecue island and can provide you with a full line of accessories that are designed to complement your barbecue island and increase your enjoyment.

Electrical Requirements

You do not need to hire a contractor to install your electrical service, but you must ensure you have all required permits and the installation complies with State and local code. We recommend you hire a certified contractor if you do not wish to do the installation yourself.

If your dealer is not a certified contractor, you will need to hire a contractor for installation of your electrical service.

When installed in the United States, the electrical wiring must meet the requirements of National Electric Code, ANSI/NFPA 70-1999 and any applicable state or local codes. The electrical circuit must be installed by an electrical contractor and approved by a local building / electrical inspector.

Supplying power to a barbecue island that is not in accordance with these instructions will void both the independent testing agency listing and the manufacturer's warranty.

The power supplied to the barbecue island must be on a dedicated circuit with no other appliances or lights sharing the power.

To determine the current, voltage, and wire size required for the island configuration to be connected,

refer to the following:

- Wire size is determined by length of run from breaker box to the barbecue island and maximum current draw.
- We recommend copper wire with THHN insulation.
- All wiring must be copper to ensure adequate connections. Do not use aluminum wire.
- When NEC requires the use of wires larger than #6 (10mm²), install a junction box near the barbecue island and use #6 (10mm²) wire between the junction box and the barbecue island.

For 120V grills, you need a dedicated 120V 20 amp grounded electrical service.

There will be a 110V power outlet inside the barbecue island. Using Romex or similar grounded, shielded wire, connect the outlet to the electrical service in the stub-up.

If the circuit breaker trips while the barbecue island is in use, reset it. If it does not reset, contact a licensed electrician for service. **DO NOT USE THE BARBECUE ISLAND!**

Natural Gas Installation

You do not need to hire a contractor to install your natural gas service, but you need to make sure you have all required permits and ensure the installation complies with State and local code. We recommend you hire a certified contractor if you do not wish to do the installation yourself.

If your dealer is not a certified contractor, you will need to hire a contractor for installation of your gas service.

The natural gas pipe from your house to the location of your barbecue island needs to be $\frac{3}{4}$ " and terminate with a shut-off valve with a $\frac{1}{2}$ " male fitting. Check with a contractor or your local inspector for requirements.

Water and Drainage Installation

If you have a sink or ice maker installed, there are several ways you can provide water and drainage to your barbecue island. A contractor can help you decide on the best solution for your needs. You are responsible for ensuring all plumbing and drainage complies with State and local codes.

Water Sources

Garden hose -- This is by far the easiest way of getting water to your barbecue island. You have two options:

- You can bring the hose through the front access door and attach it underneath the sink when you need it, or
- You can bury the length of the hose and bring it up beneath the barbecue island in the same manner as the gas and electrical stub-ups. Once you connect it to your sink, you won't need to remove it.

$\frac{1}{2}$ " cold water pipe -- Plumb a single $\frac{1}{2}$ " cold water pipe from your house plumbing to a stub-up beneath the sink.

Hot water plumbing -- You have many options for plumbing your sink for hot water, including tapping from your house's hot water tank, installing a tankless point-of-use water heater, and installing a solar water heater. Consider several factors to find a solution that best addresses your needs, including your water consumption, electrical power supply, and drainage. A contractor can help you with this.

Drainage

Five gallon bucket -- Place a five gallon bucket beneath the sink drain. This solution has the advantage of being inexpensive and the least trouble to maintain for winterizing your barbecue island.

Drain to your garden -- if your yard is on a slope, you can take advantage of this feature by draining sink water to a place in your garden where you can re-use the water.

Gray water drain -- Installing a line to drain to your house's gray water drainage may incur some cost and labor, but it may be your best solution if you plan to locate your barbecue island in its place permanently.

Getting Barbecue Island Into Yard

Check the Dimensions of the Barbecue Island

Your dealer can provide you with the dimensions of your barbecue island, or you can find them at www.calflamebbq.com.

During delivery, the barbecue island must remain on the delivery cart at all times. Compare the dimensions to the width of the gates, sidewalks, and doorways along the delivery route. It may be necessary for you to remove a gate or partially remove a fence in order to provide an unobstructed passageway to the installation location.

Plan the Delivery Route

Consider the following when planning your delivery route:

- Check the width of gates, doors and sidewalks to make sure your barbecue island will pass through unobstructed. You may have to remove a gate or part of a fence to allow for adequate width clearance.
- Are there low roof eaves, overhanging branches or rain gutters that could be an obstruction to overhead clearance?

- Barbecue islands need at least the width of the island plus 12".
- If the delivery route will require a 90° turn, check the measurements at the turn to ensure the barbecue island will fit.
- Are there protruding gas meters, water meters or A/C units on your home which will cause obstructions along the delivery path to your yard?
- Are there stairs in your delivery route? If so, you must consult your dealer prior to delivery to make adequate preparations.

Special Circumstances

The use of a crane for delivery and installation may become necessary if you are unable to provide an adequate delivery route. It is used primarily to avoid injury to your barbecue island, your property or to delivery personnel. Your dealer may be able to assist you with the arrangements. If your barbecue island delivery requires the use of a crane, the cost of a crane is generally not included in the standard delivery service.

Check your width clearance

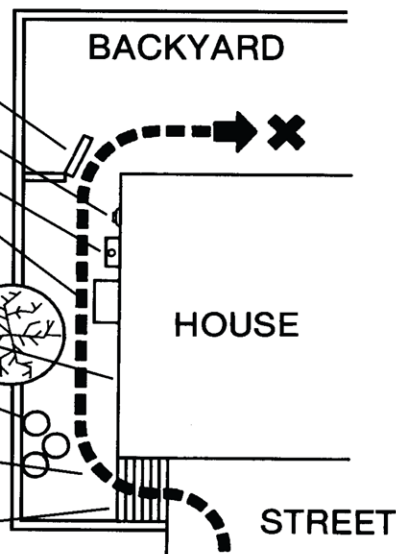
- Check all gates
- Protruding electric meters
- Gas meters
- A/C units

Do you have sufficient overhead clearance?

- Check low roof eaves, overhanging branches, rain gutters

Is the path clear?

- Move away branches, dog houses, firewood, etc.
- If there is a 90° turn, can we clear it? (The island will not bend.)
- No stairs! If there are stairs in the delivery route, consult the dealer.



Installation After Delivery

For more information on installing your grill and accessories, see the grill and carts owner's manual.

If your barbecue island has two or more pieces, you or your contractor will mate pieces and bolt them together. When sections are aligned and in place, apply grout and do whatever else is necessary cosmetically to ensure the barbecue island is attractive and presentable.

After your barbecue island is delivered, set in place, and the grill is mounted, you will need to connect all of the services to your hardware. If your dealer is not a certified contractor, you will need to hire a contractor for this.

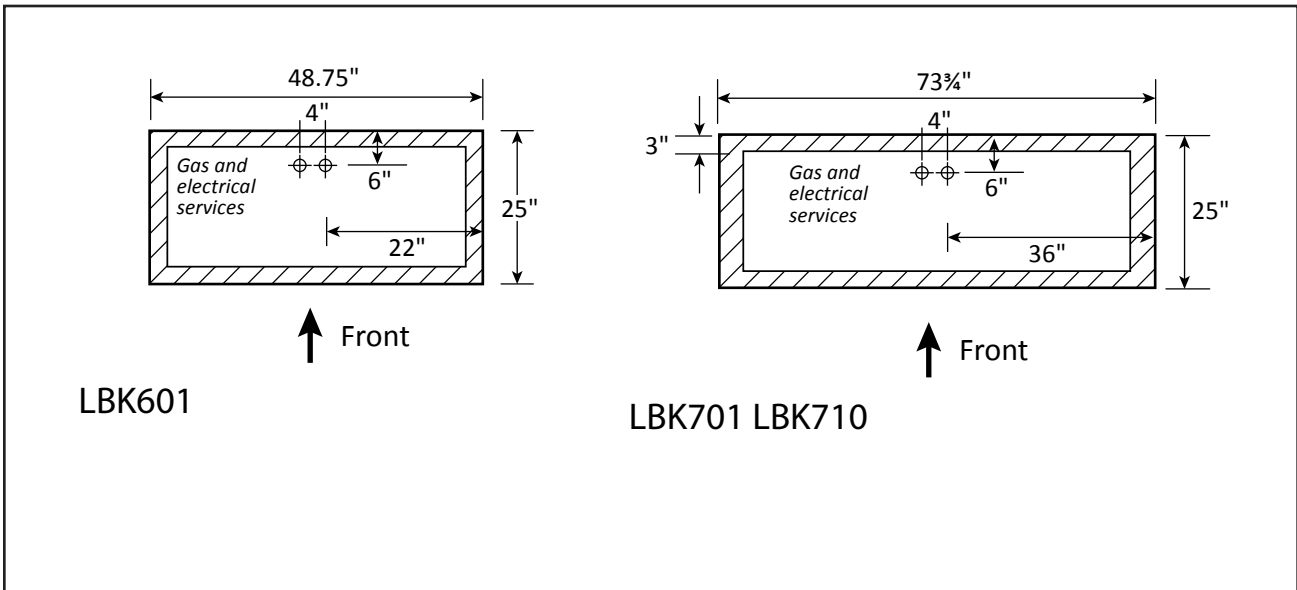
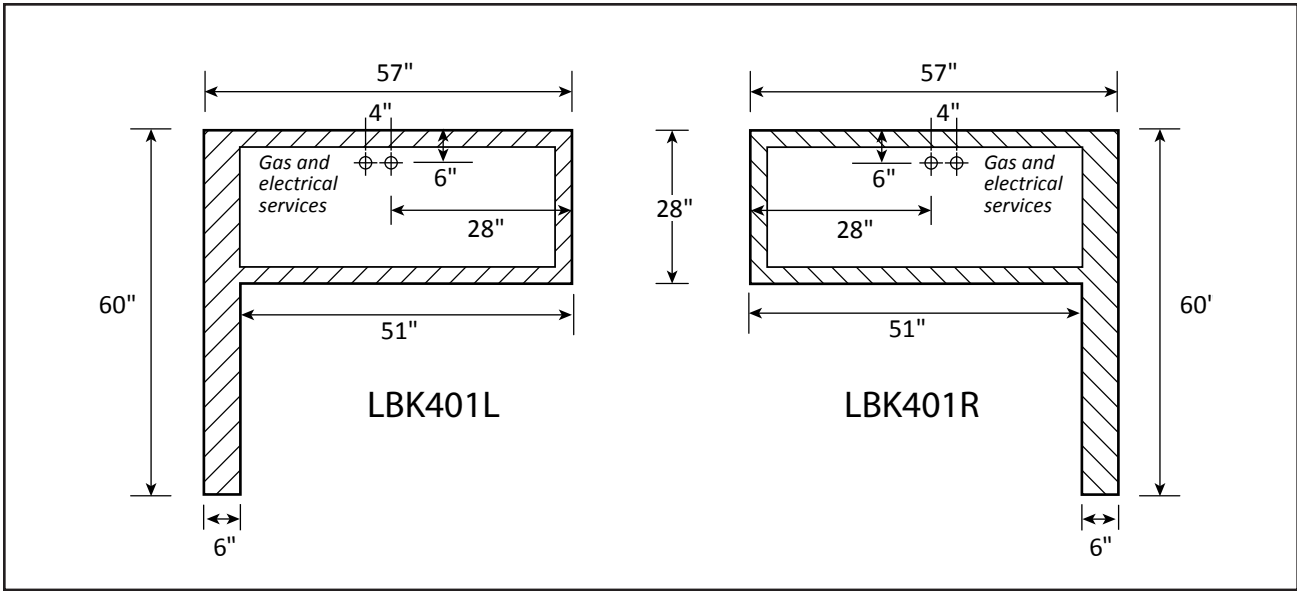
The natural gas line connects to the grill inside the island. As you are facing the grill, the connection is located at the right rear side of the grill. The stub-up will terminate with a valve and a 1/2" male fitting. Connect the flexible tubing from the grill to the male fitting.

Both the natural gas and the electrical service connect inside where the grill outlet is located.



The voltage transformer can be mounted to any part of the frame where it will not be in the way. Plug it into the 110V grounded outlet located inside the barbecue island.

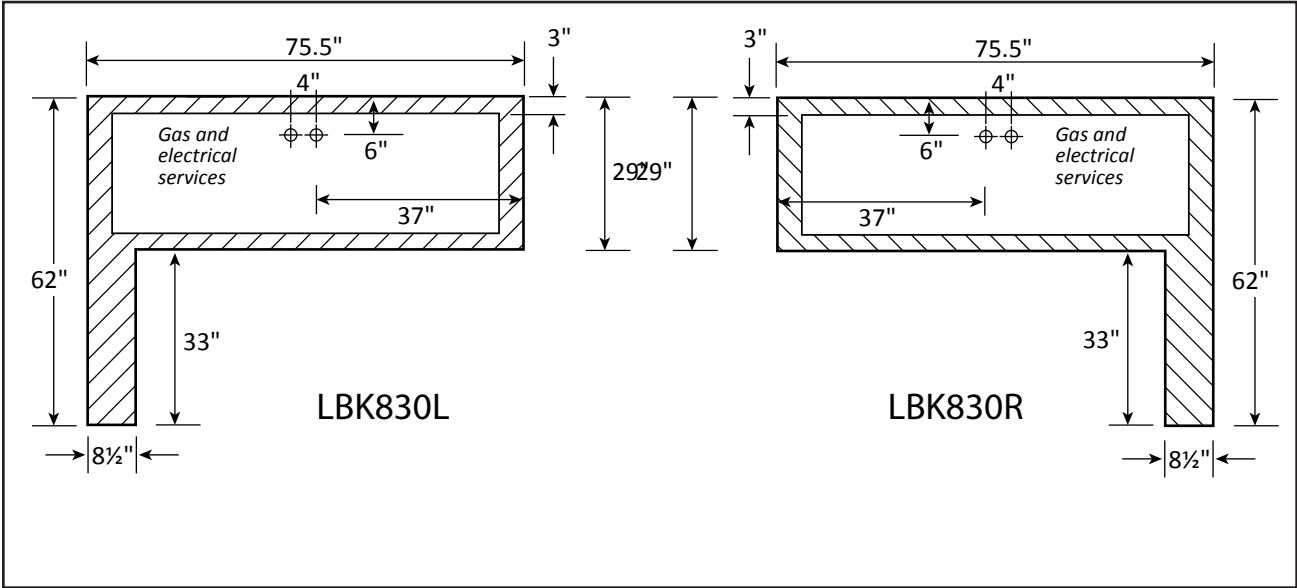
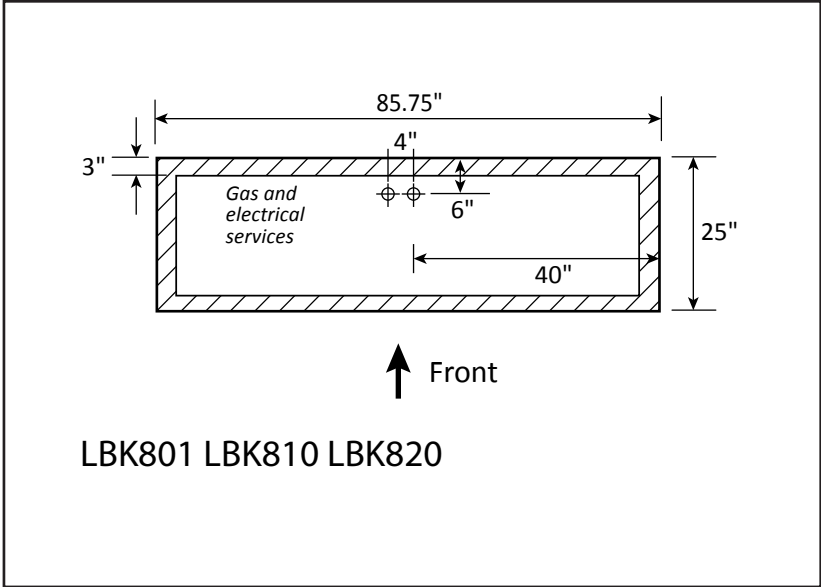
Side burners do not require a separate regulator. You can put in a tee in the line after it comes out of the regulator. For detailed installation instructions, see the grill and cart owner's manual.

Barbecue Island Footprints



Note: Drawings are not to scale. All measurements are approximate and may vary by 1" - 2".

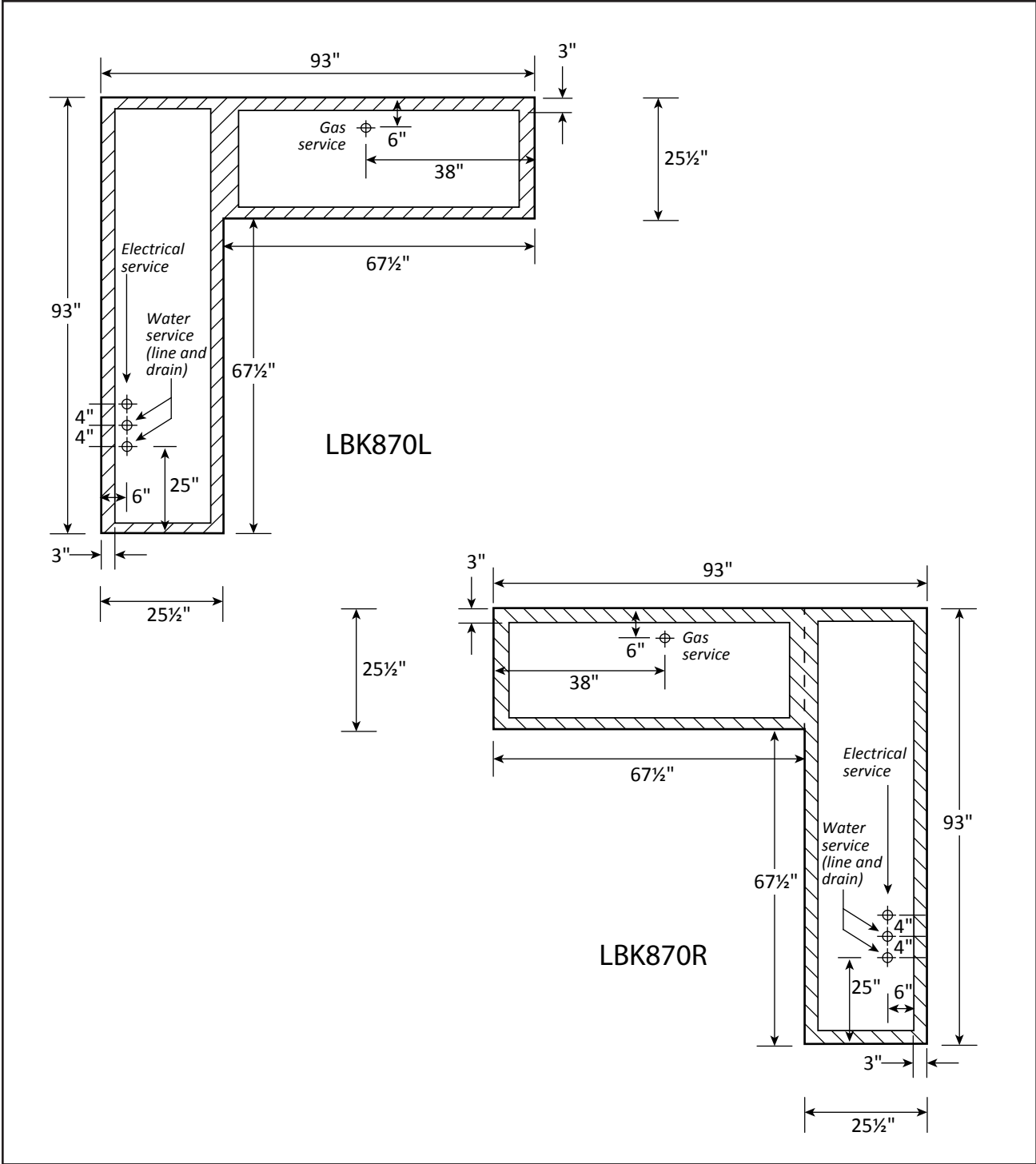
-  Represents solid barbecue island frame
-  Represents open space within barbecue island





Note: Drawings are not to scale. All measurements are approximate and may vary by 1" - 2".

Represents solid barbecue island frame

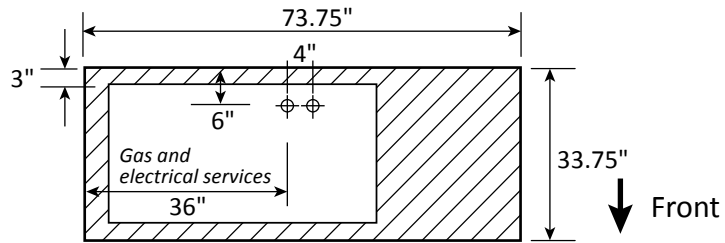
Represents open space within barbecue island



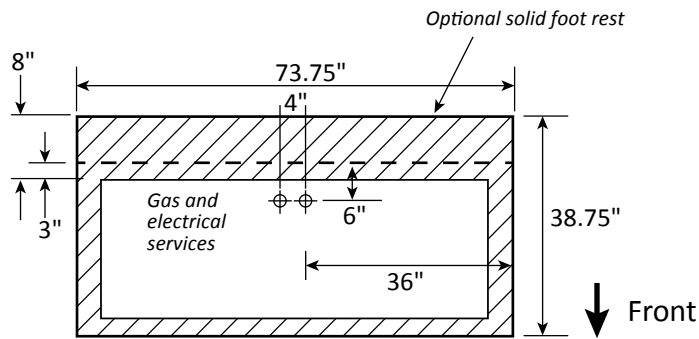
Note: Drawings are not to scale. All measurements are approximate and may vary by 1" - 2".

-  Represents solid barbecue island frame
-  Represents open space within barbecue island



PV6004 and PV6016 without optional solid foot rest



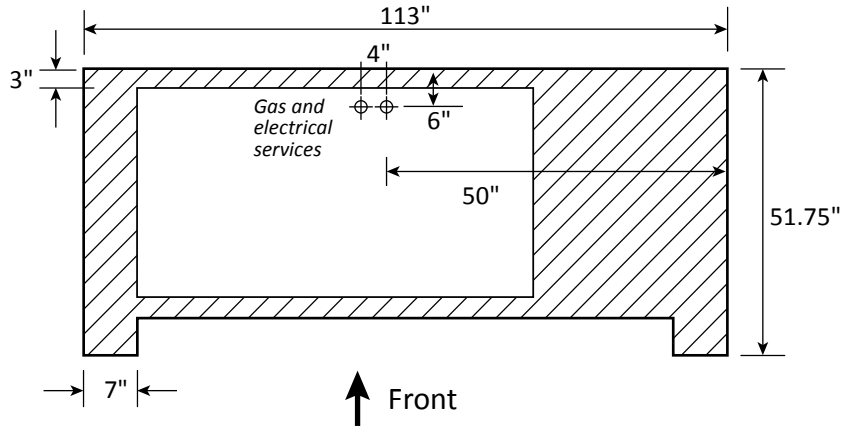
PV6016 with optional solid foot rest



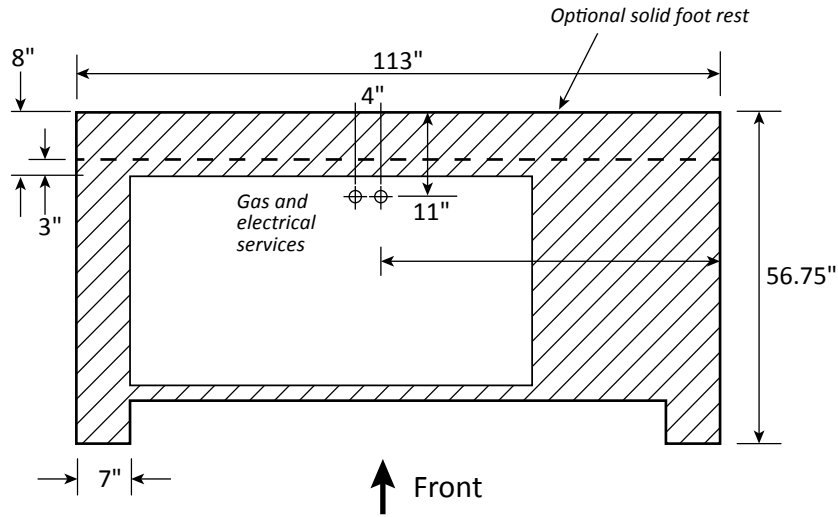
Note: Drawings are not to scale. All measurements are approximate and may vary by 1" - 2".

-  Represents solid barbecue island frame
-  Represents open space within barbecue island



PV7000 without optional solid foot rest



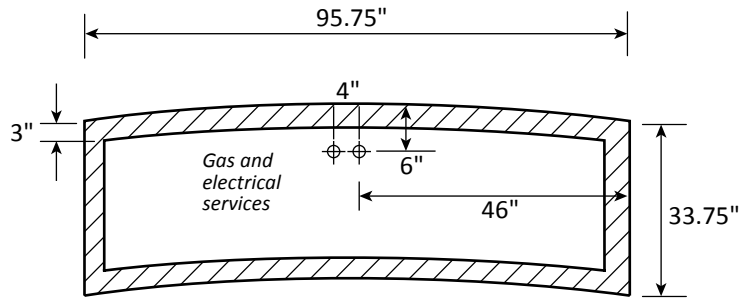
PV7000 with optional solid foot rest



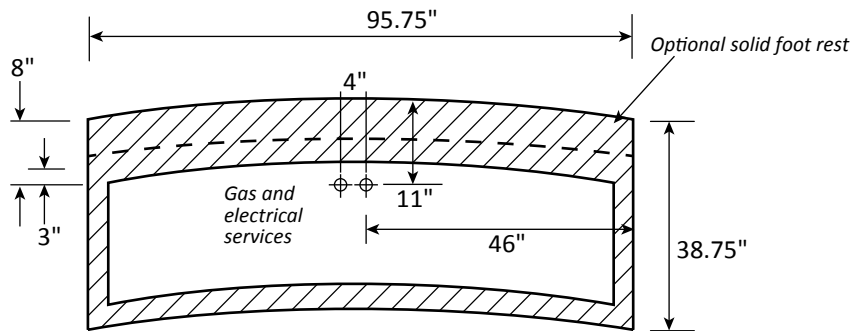
Note: Drawings are not to scale. All measurements are approximate and may vary by 1" - 2".

-  Represents solid barbecue island frame
-  Represents open space within barbecue island


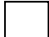
GPV3032 without optional solid foot rest



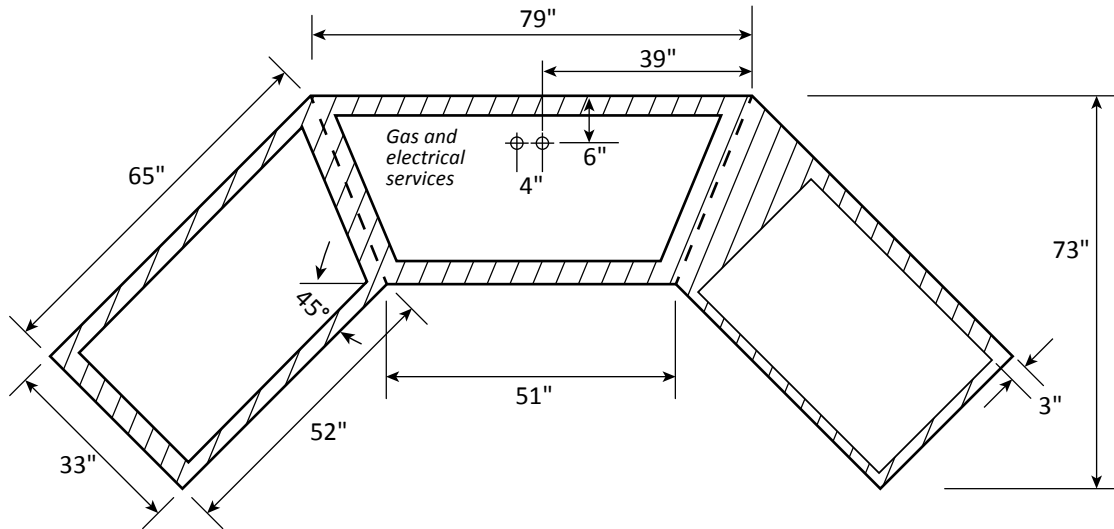
GPV3032 with optional solid foot rest



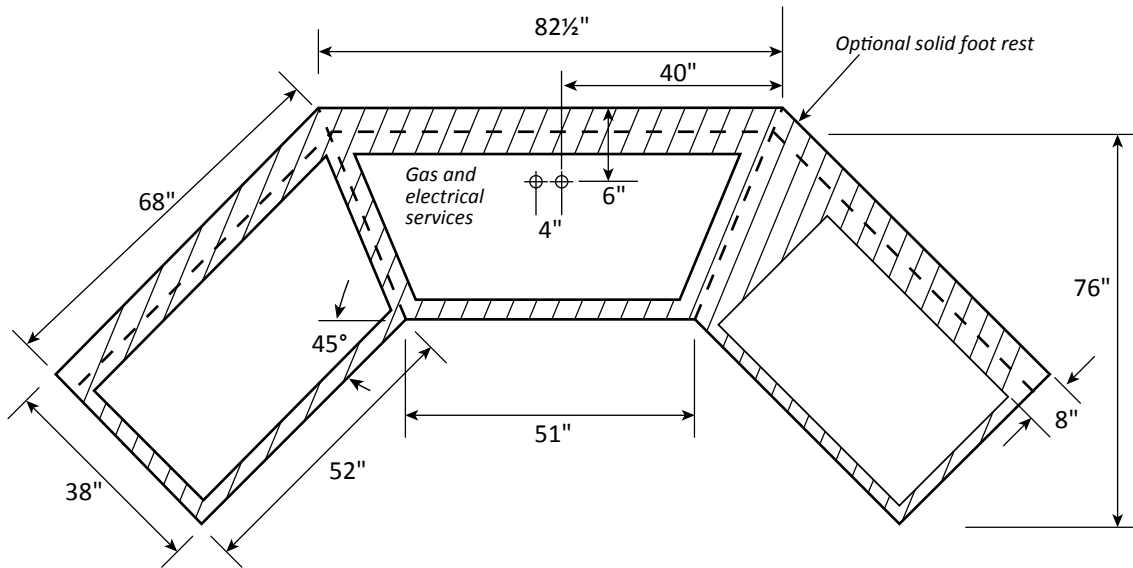
Note: Drawings are not to scale. All measurements are approximate and may vary by 1" - 2".

-  Represents solid barbecue island frame
-  Represents open space within barbecue island



GPV3100 without optional solid foot rest



GPV3100 with optional solid foot rest



Note: Drawings are not to scale. All measurements are approximate and may vary by 1" - 2".

-  Represents solid barbecue island frame
-  Represents open space within barbecue island

Cal Flame®

LMS Customer Service Department
1462 East Ninth Street
Pomona, CA 91766

Toll Free: 1-800-225-7727
Fax: 1-909-629-3890

www.calflamebbq.com



WARNING! Proposition 65 Warning: Handling the brass material on this product exposes you to lead, a chemical known to the State of California to cause cancer, birth defects or other reproductive harm. (Wash hands after handling this product.)

This product and the fuels used to operate this product (propane or natural gas), and the products of combustion of such fuels, can expose you to chemicals including Benzene, which is known to the state of California to cause cancer and birth defects or reproductive harm.

For more information go to www.P65Warnings.ca.gov.