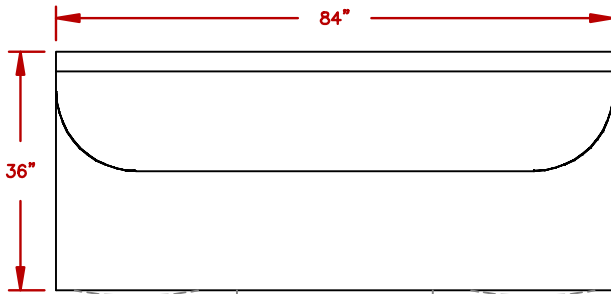
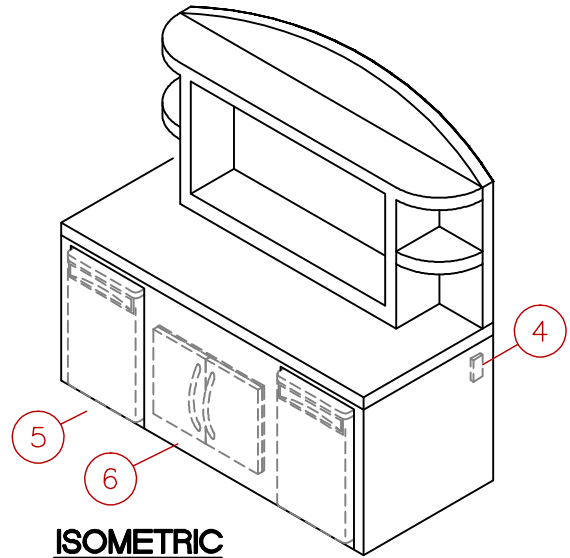


Option Placement May Vary

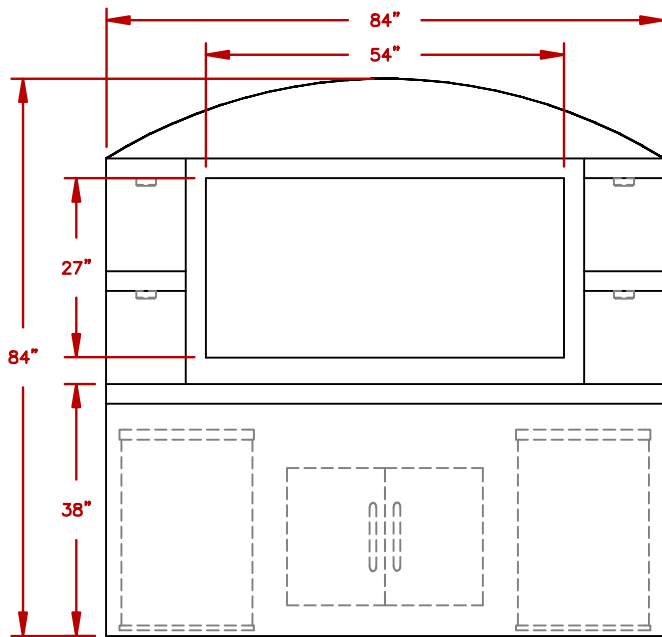
SEE NOTES BELOW FOR MORE INFORMATION



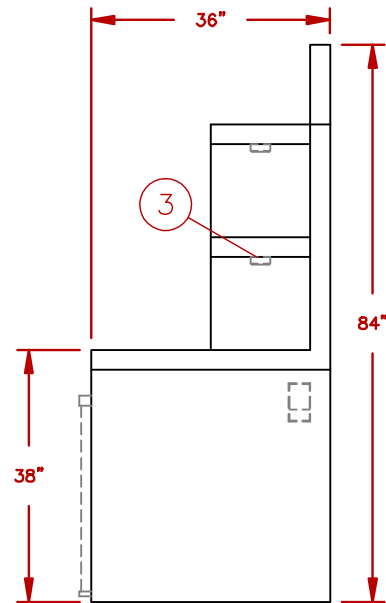
TOP VIEW



ISOMETRIC




FRONT VIEW



SIDE VIEW

STD FEATURES	
ITEM	DESCRIPTION
1	PORCELAIN TILE 12 X 12 (FIELD) (BORDER)
2	AMERISTONE STUCCO STANDARD FINISH
3	4 EXTERIOR LED LIGHTS
4	EXTERIOR ELECTRICAL
5	STAINLESS STEEL REFRIGERATOR
6	30" STAINLESS STEEL ACCESS DOOR

NOTE:
DUE TO OUR CONTINUOUS IMPROVEMENT PROGRAM, ALL MODELS
AND SPECIFICATIONS ARE SUBJECT TO CHANGE WITHOUT NOTICE.

	TITLE 2019 BARBECUE LINE OUTDOOR ENTERTAINMENT ODC-1	
	SCALE: REVISED A	DWG NO. REV. DESCR.