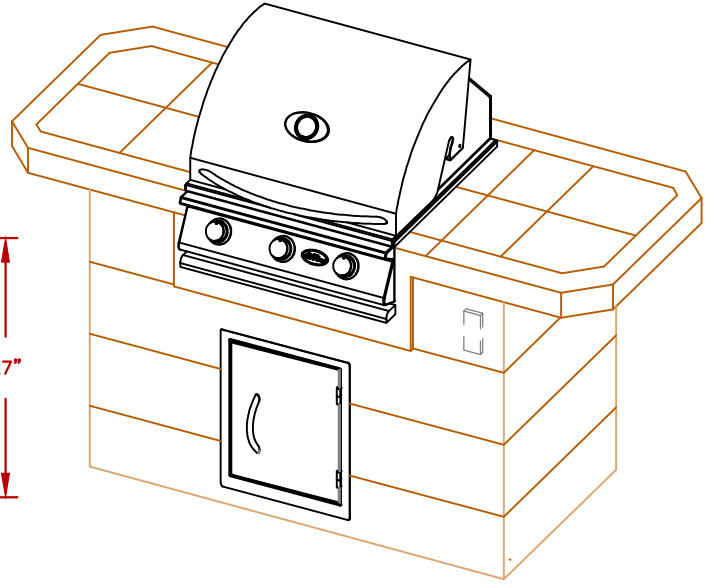
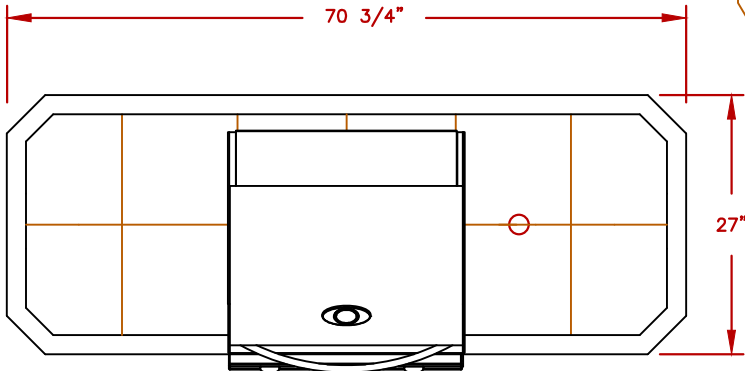


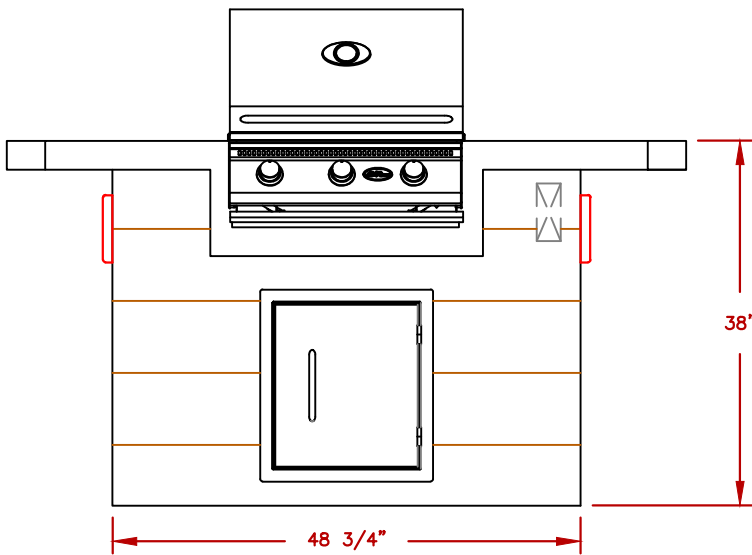
LINE	BBQ PATIO SERIES
MODEL	BBK601
REF.	KONA Q



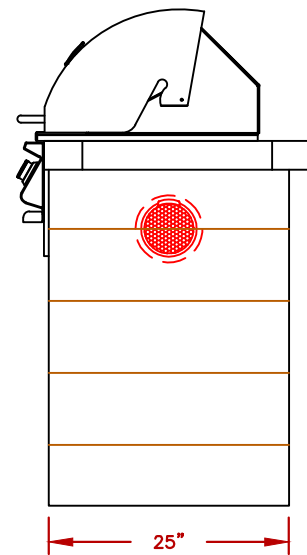
BBK-601



TOP VIEW




FRONT VIEW



SIDE VIEW

STANDARD FEATURES		
QTY.	SYMB.	DESCRIPTION
-	(A)	PORCELAIN TILE 12 X 24 (FIELD) (BORDER)
-	(B)	ELITE CABINET SIDING
1	(C)	3 BURNER G3 LP
1	(E)	18" VERTICAL ACCESS DOOR

OPTIONS		
SYMB.	DESCRIPTION	OPT#
OPT1	UNDERCOUNTER LIGHTS	OPTQ820L
OPT2	FREEDOM SOUND SYSTEM BLUETOOTH, POWERED SUBWOOFER AND 2X SPEAKERS	OPTQ23-FS23
OPT3	UMBRELLA HOLE ONLY	OPTQ23-837

	TITLE	
	2024 BARBECUE LINE BBK PATIO SERIES BBK601 KONA Q	
SCALE:	DWG NO.	DWG BY
		M ORTEGA
REVISED	REV. DESCR.	DATE
		12/20/2023

NOTE:
DUE TO OUR CONTINUOUS IMPROVEMENT PROGRAM, ALL MODELS
AND SPECIFICATIONS ARE SUBJECT TO CHANGE WITHOUT NOTICE.