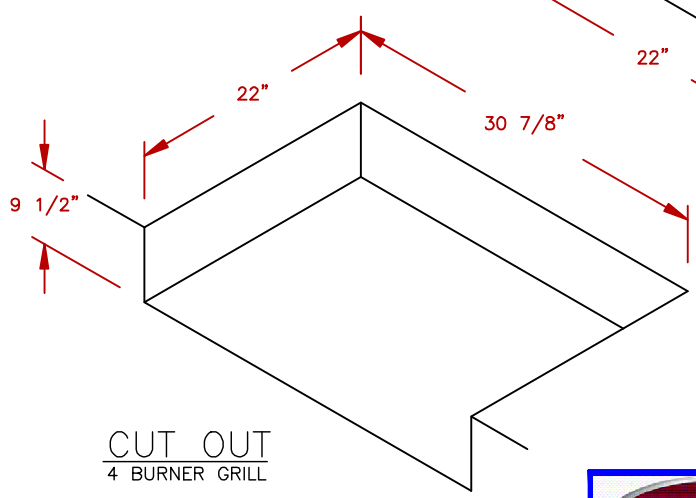
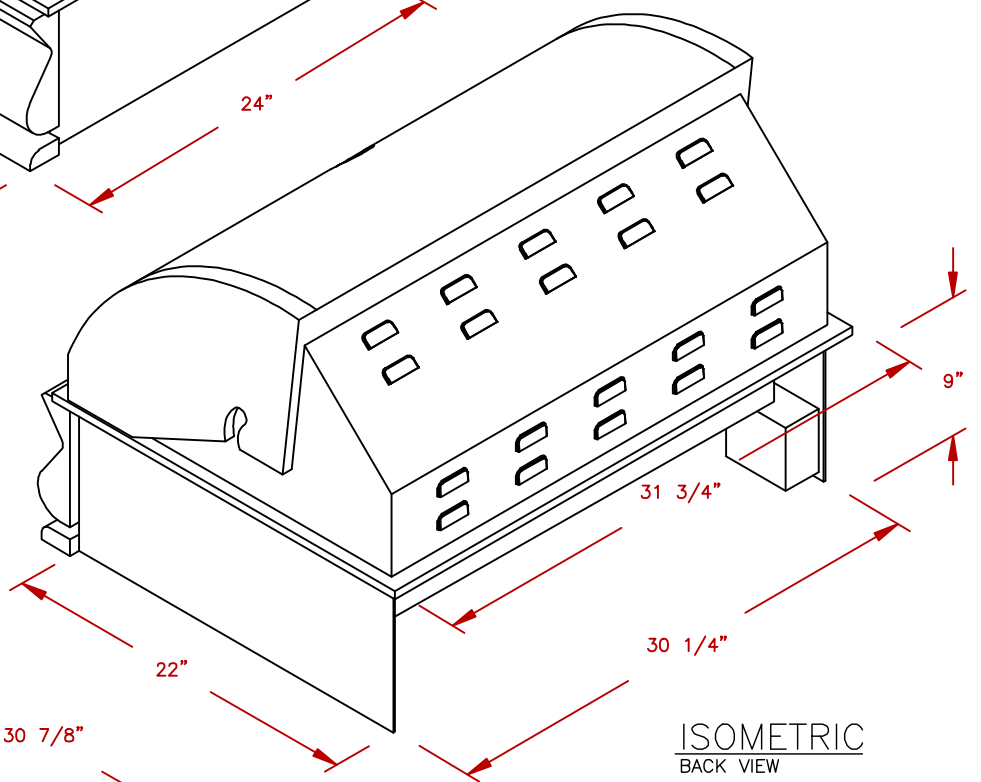
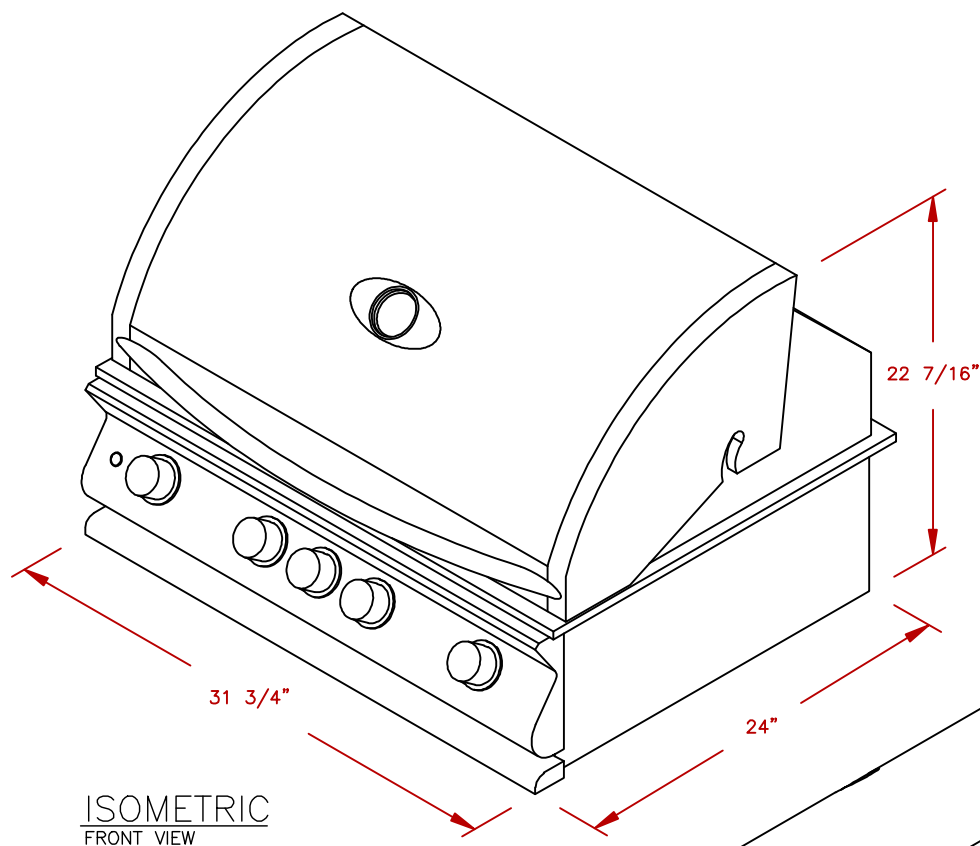


| | |
|-------|-----------|
| LINE | BBQ LINE |
| MODEL | P4 BURNER |
| NUM | |



NOTE:
DUE TO OUR CONTINUOUS IMPROVEMENT PROGRAM, ALL MODELS
AND SPECIFICATIONS ARE SUBJECT TO CHANGE WITHOUT NOTICE.

| | | | |
|---|-------------|-----------|---|
|  | TITLE | | 2020 BARBECUE LINE GRILLS P4 BURNER |
| | SCALE: | DWG NO. | DWG BY |
| N/A | BBQ18P04 | J.ORNELAS | |
| REVISED | REV. DESCR. | DATE | |
| | | 11/14/19 | |