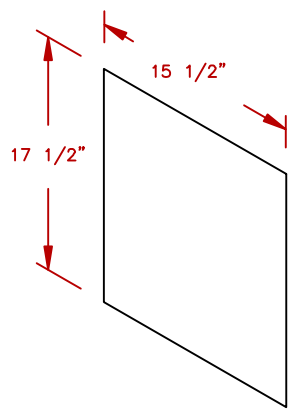
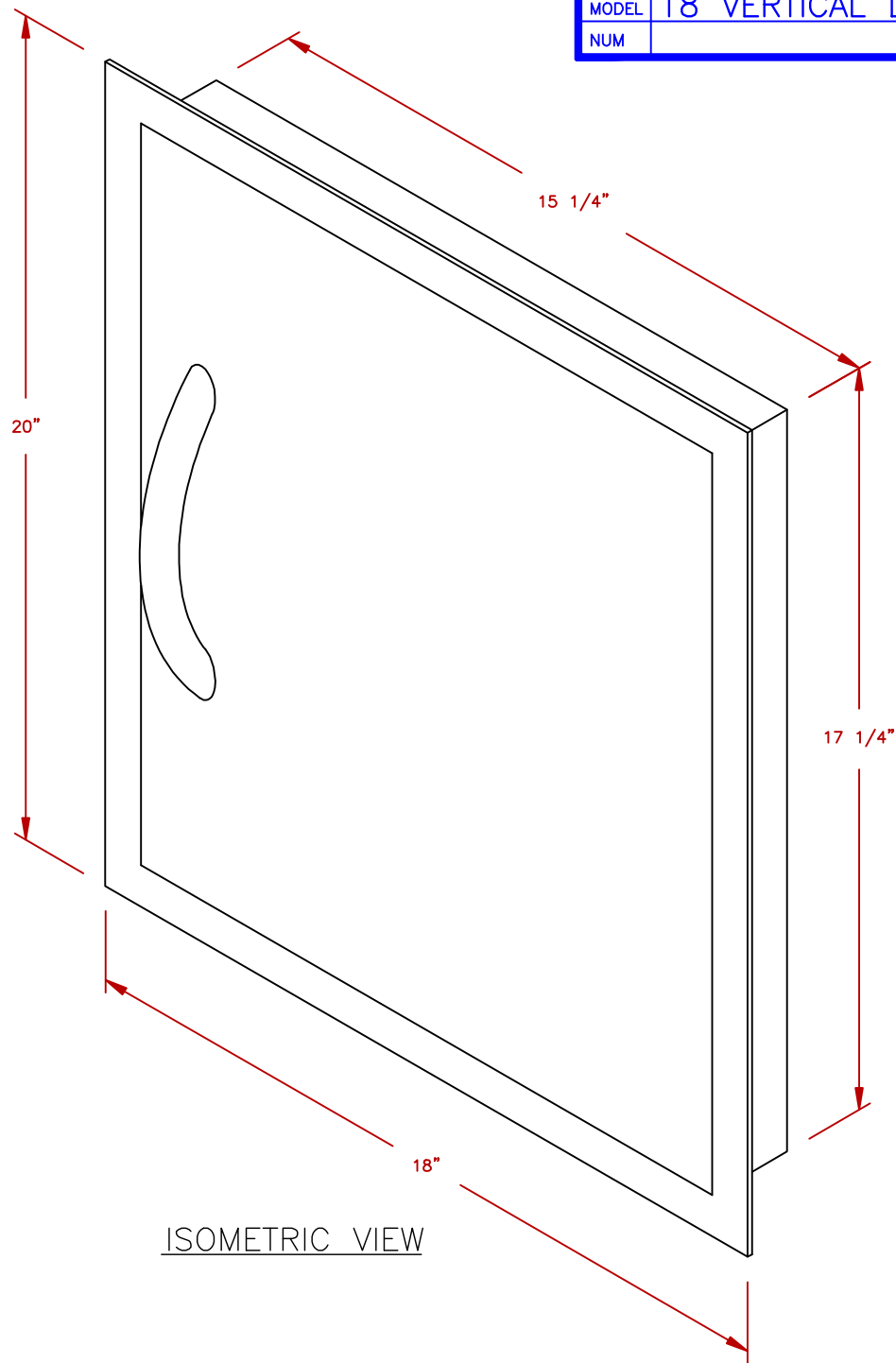



LINE	BBQ LINE
MODEL	18 VERTICAL DOOR
NUM	



	TITLE 2019 BARBECUE LINE DOORS & DRAWERS 18 VERTICAL DOOR	
	SCALE: _____	DWG NO. BBQ09841P-18
REVISED _____	REV. DESCR. _____	DATE 11/13/18

NOTE:
 DUE TO OUR CONTINUOUS IMPROVEMENT PROGRAM, ALL MODELS
 AND SPECIFICATIONS ARE SUBJECT TO CHANGE WITHOUT NOTICE.